



**MICRO SWITCH**

FREEPORT, ILLINOIS, U.S.A.  
A DIVISION OF HONEYWELL

FED. MFG. CODE 91829

# SWITCH -- BASIC

CATALOG LISTING  
★ V3-101

CKB 0100

M V3-101

DRAWING NUMBER

ISSUE NO. 17

RELEASE NO.

CHECK

REVISIONS

A CO20189  
25 MAY 65

B CO21688  
3 OCT 66

C CO24941  
3 DEC 68

D CO26075  
26 AUG 69

E CO31748  
2 APR 73

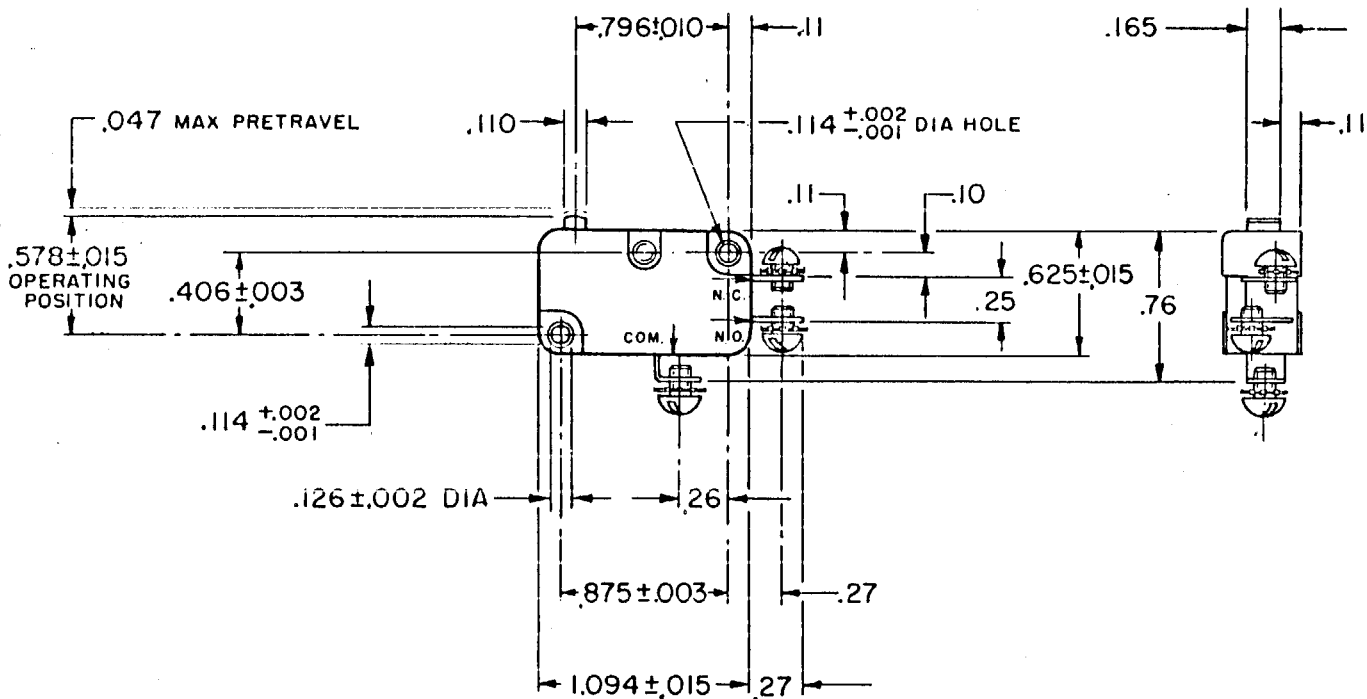
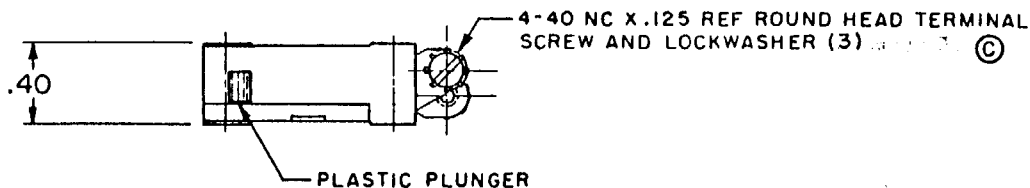
F CO 32395  
14 AUG 73

G CU 59921  
29 SEPT 86

H CO74475  
15 APR 93

DRAWN

30378



THIS DRAWING COVERS A PROPRIETARY ITEM AND IS THE PROPERTY OF MICRO SWITCH, A DIVISION OF HONEYWELL. THIS DRAWING IS NOT TO BE COPIED OR USED WITHOUT THE APPROVAL OF MICRO SWITCH.

CHARACTERISTICS	ELECTRICAL DATA	SCALE FULL
OPERATING FORCE----- 8 OZ MAX	CONTACT ARRANGEMENT S P D T	DO NOT SCALE PRINT
RELEASE FORCE----- 2 OZ MIN	11A-1/3HP-125-250-277 VAC - L156 - 1/2A-125 VDC; 1/4A-250 VDC 4A-125 VAC "L"	UNLESS OTHERWISE NOTED DIMENSIONS ARE IN INCHES
DIFFERENTIAL TRAVEL----- .006-.016	RA SP	<b>TOLERANCES ARE:</b>
OVERTRAVEL----- .040 MIN		ONE PLACE (.0) ±.030
FREE POSITION----- .625 MAX		TWO PLACE (.001) ±.015
RELEASE TRAVEL----- .007MIN		THREE PLACE (.000) ±.005
		ANGLES ±
		WEIGHT .017 LB